

**Before you Apply:**

- Visit [Calgary.ca/pools](http://Calgary.ca/pools) to find more information on rules and requirements on your project.
- For help with your drawings visit [Calgary.ca/drawingstandards](http://Calgary.ca/drawingstandards) for tips and examples
- To estimate your permit fee, visit [Calgary.ca/alterationscalculator](http://Calgary.ca/alterationscalculator)
- Please do not include personal information on plans

**Section 1: Minimum Application Requirements**

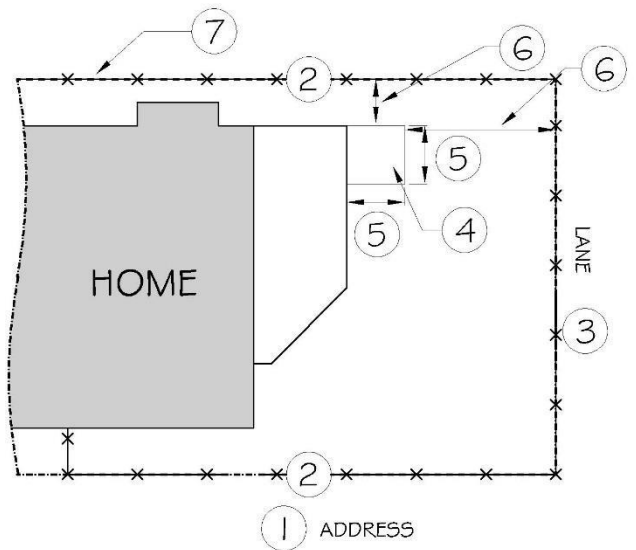
**A. Completed [Application Form](#)**

**B. Provide 1 copy of a site plan**

Your site plan should include the following:

- 1 Address
- 2 Property lines
- 3 Streets and back alleys
- 4 Outline of pool and pool equipment
- 5 Dimensions of pool
- 6 Distance from property lines to pool and pool equipment
- 7 Outline and height of fences and gates, if applicable
- 8 Types of pool equipment (heater, chlorinator etc.)

*Tip: You can use a real property report as your site plan.*

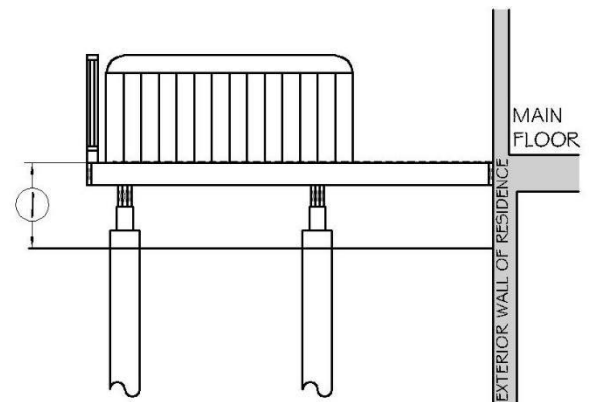


**C. Provide 1 copy of a cross section**

Your cross section should include the following:

- 1 Height of pool from ground
- 2 Construction details of surrounding above-ground deck, if applicable

*Tip: If the hot tub is on a deck or any other raised structure, engineering is required.*



- 
- D. For pre-manufactured pools provide the manufacturer's installation brochure that includes make, model and CSA or ULC approval number.
- 

**Section 2: Additional Requirements, only needed if you answer yes to the any of the below questions.**

*Note: The below questions may not cover all scenarios where an additional permit for land use approval may be required. A Planning Services Technician will help you during your visit to see if additional requirements and fees are needed.*

---

- |   |   |  |
|---|---|--|
| 1 | Will the pool be located in the front yard?   | <input type="radio"/> Yes <input type="checkbox"/> <input type="radio"/> No <input type="checkbox"/> |
| 2 | Is your pool or the pool mechanical equipment closer than 1.2 metres (3 feet 11 inches) to the side or rear property lines? | <input type="radio"/> Yes <input type="checkbox"/> <input type="radio"/> No <input type="checkbox"/> |
| 3 | Will the area of the pool be larger than 15% of the area of the property?   | <input type="radio"/> Yes <input type="checkbox"/> <input type="radio"/> No <input type="checkbox"/> |
- 

- A. Completed [Site Contamination Statement](#)
- 

- B. Completed [Abandoned Well Declaration](#)
- 

- C. Completed [Public Tree Disclosure Statement](#)
- 

*Note: The Development Authority or Safety Code Officer may require additional materials considered necessary to properly evaluate the proposed development (as stated in Part 2, Section 26(3) of Land Use Bylaw 1P2007, Section 6(1) of Bylaw 64M94 and the Alberta Building Code 2014)*

**NOTE:** Land Use Bylaw 1P2007 Part 2, Division 3, Section 23 states: A development permit is required for every development unless it is otherwise exempted. Your building permit plans must match the approved plans by the development authority. If insufficient information has been provided, a request for information will be sent out. A permit application may be refused if that information is not provided within 90 days of the request. Refunds will be processed as per our current [fee schedule](#).